



# Radar Flow Sensor Datasheet

Addition to  
Smart Sense AirQ™  
Measuring Unit

Developed by



# Highlights

**High-precision non-contact open channel surface velocity meter**

**Contactless, above the water, flow measurement**

**Built on robust radar technology**

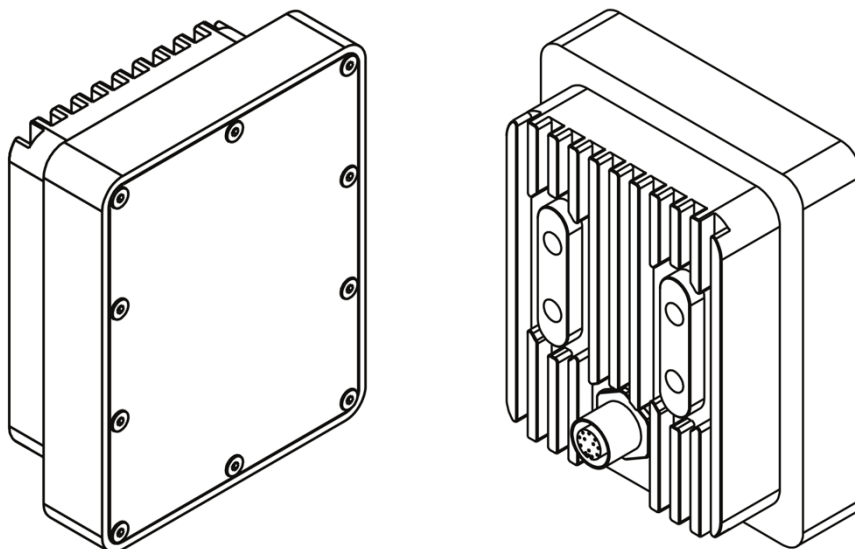
**Wide measurement range from 0.02 m/s to 15 m/s**

**Long range operation up to 20 m**

**Automatic mounting angle compensation (cosine correction)**

**Easy pole, wall or enclosure mounting**

**IP-68 rated enclosure**



# Technical Specifications

Radar Type	K-band 24.075-24.175 GHz Doppler radar, 20 dBm EIRP
Beam Angle	12° Azimuth, 24° Elevation
Detection Distance	20 m above the water
Speed Range	0.02 m/s to 15 m/s
Resolution	0.001 m/s
Accuracy	1 %
Sampling Frequency	1 to 10 sps
IP Rating	IP68
Serial Interface	1x serial RS-485 half-duplex 1x serial RS-232 (two wire interface)
Serial Baud Rate	9 600 bps to 115 200 bps
Serial Protocols	ASCII-S, GLX-NMEA, MODBUS-RTU
Analog Output	1 x 4-20 mA
Alarm Output	1 x open collector, max 50V 200mA
Connector	M12 circular 12-pin
Power Input	9 to 27 VDC
Power Consumption	950 mW operational 85 mW standby
Maximal Current	< 250 mA
Temperature Range	-40 - +85 °C
Enclosure Dimensions [mm]	110 x 90 x 50

[\\*AIRO System datasheet available here online](#)